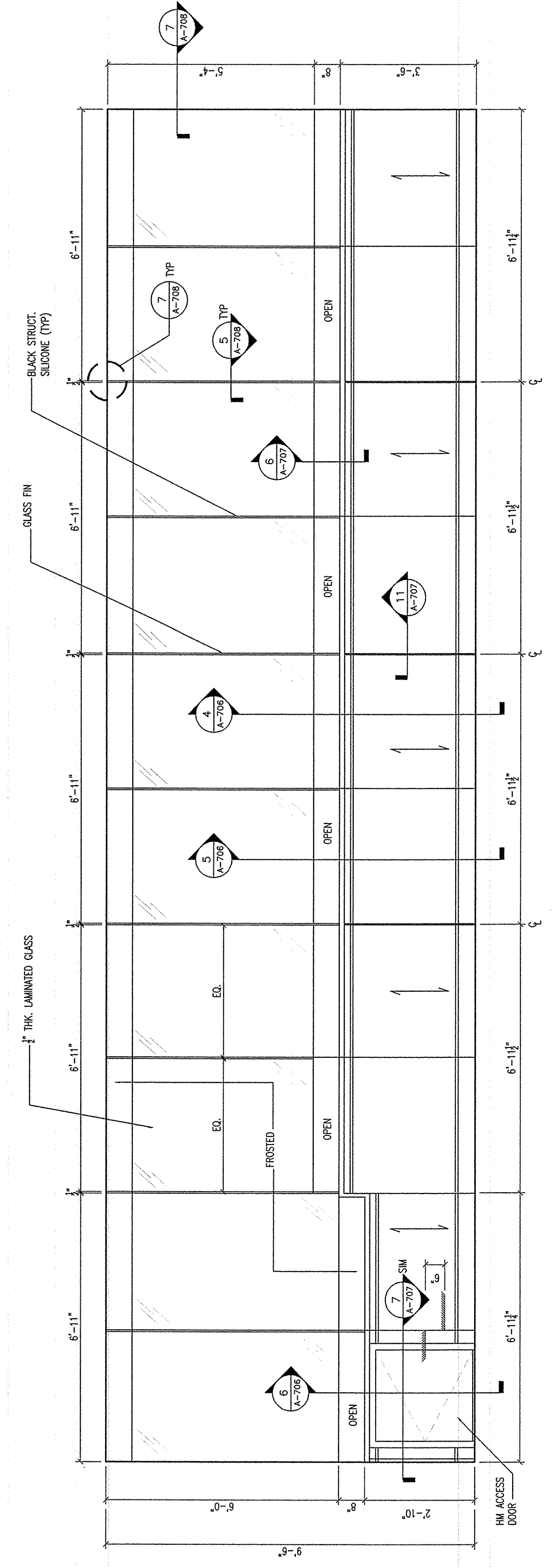
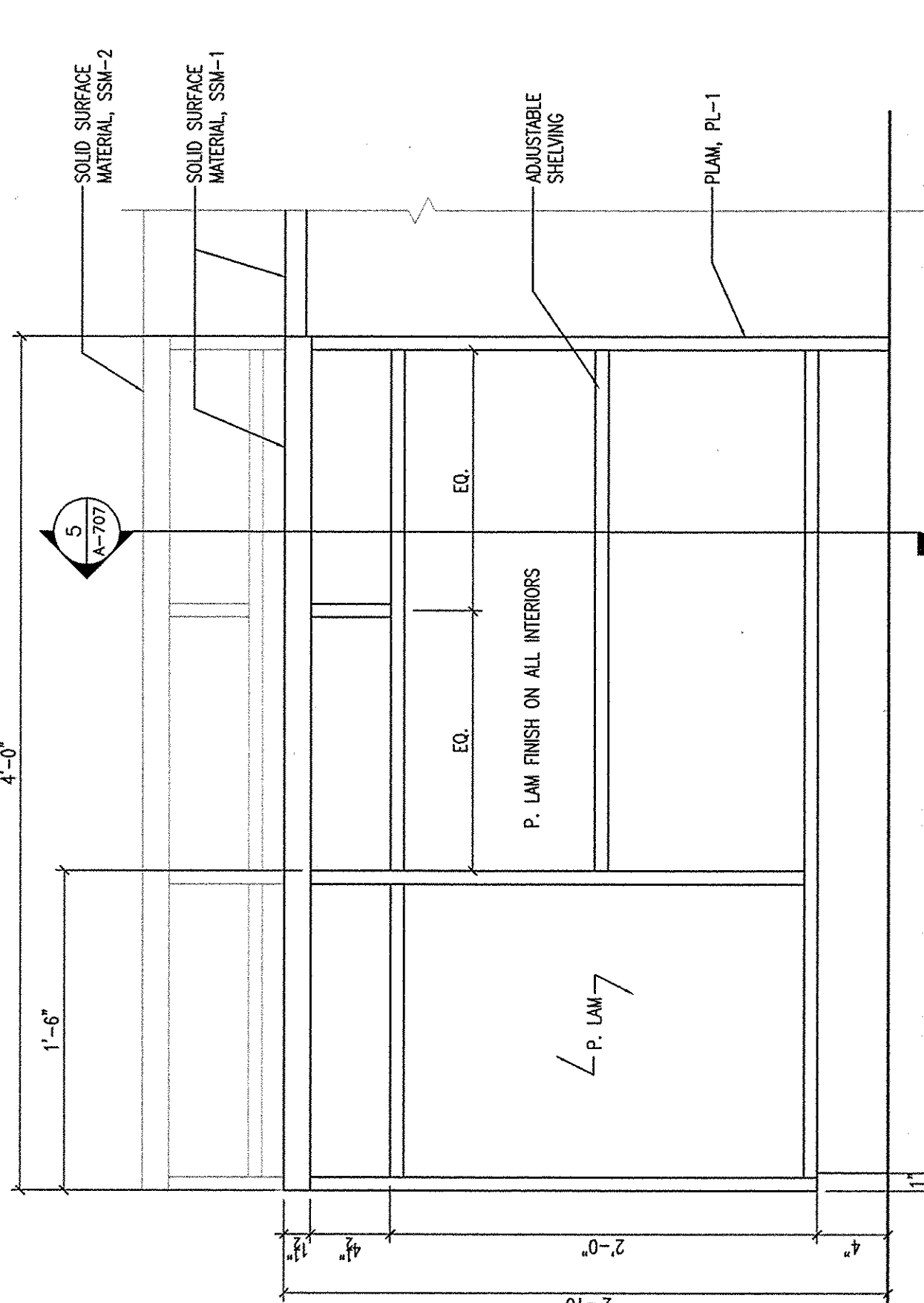


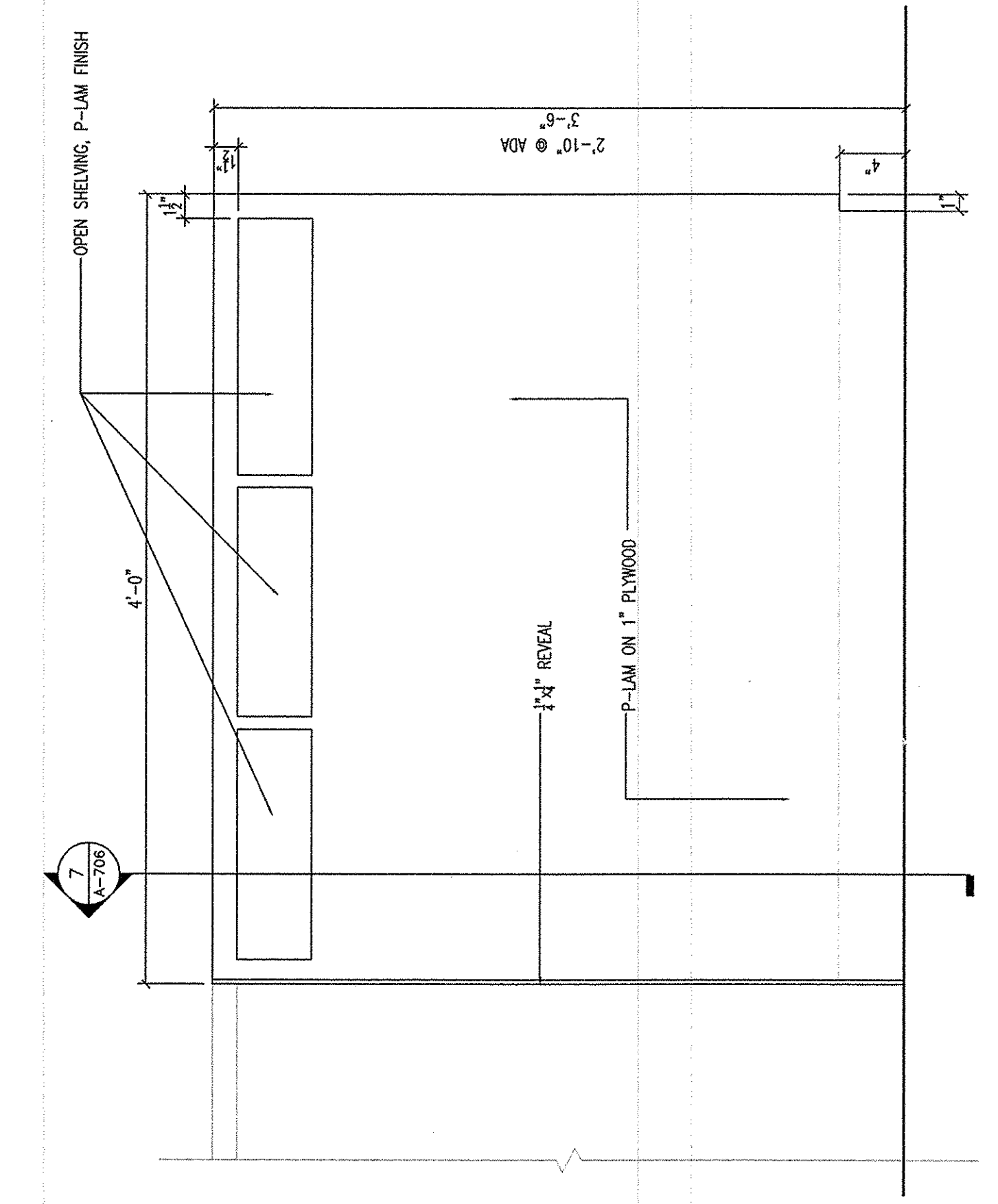
11 | TYPICAL DETAIL @ CASHIER COUNTER
A-708 | SCALE: 3/4"=1'-0"



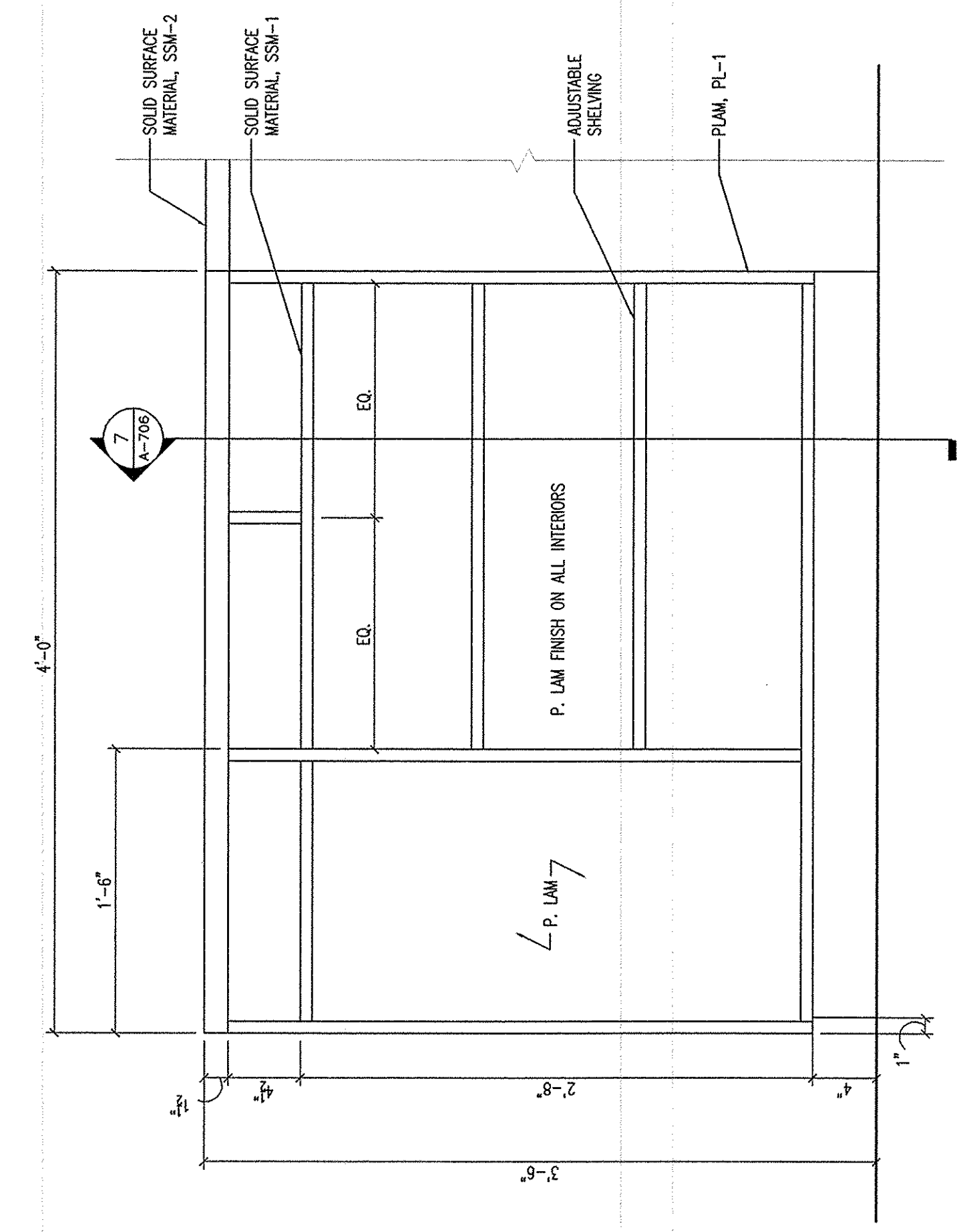
3 | PUBLIC SIDE ELEVATION ROOM 211-CASHIER COUNTER
A-708 | SCALE: 1/2"=1'-0"



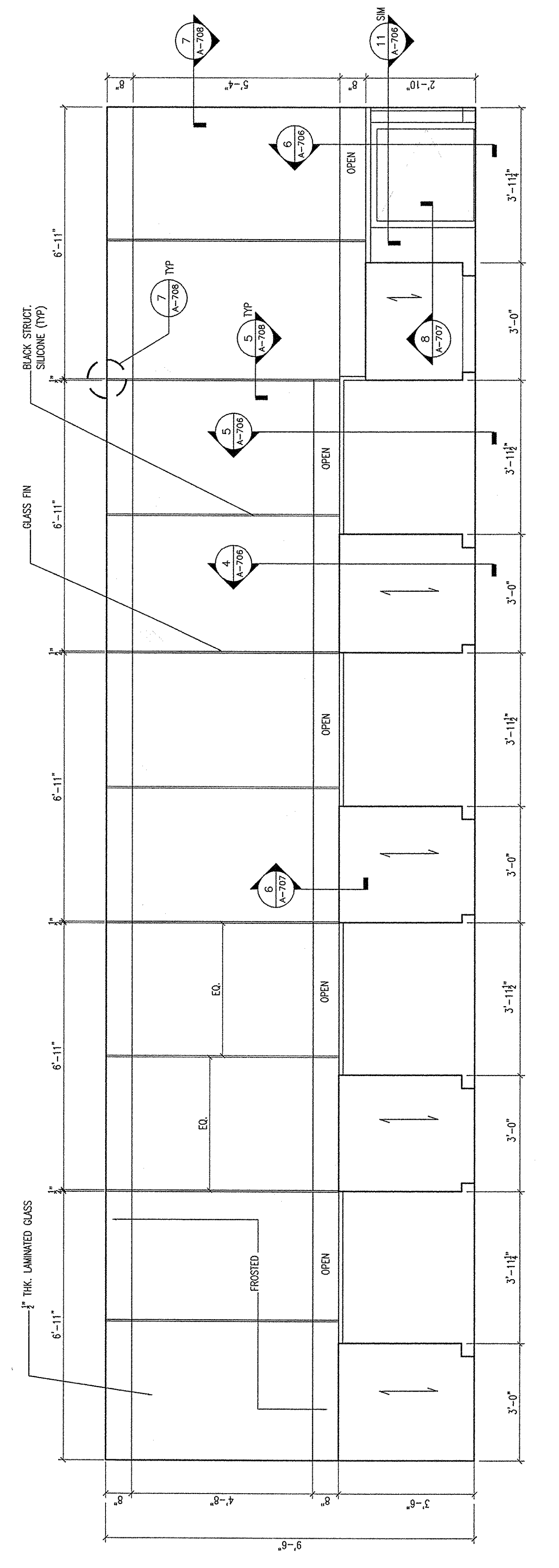
10 | TYP. ADA CASHIER CNTR ELEVATION
A-708 | SCALE: 1 1/2"=1'-0"



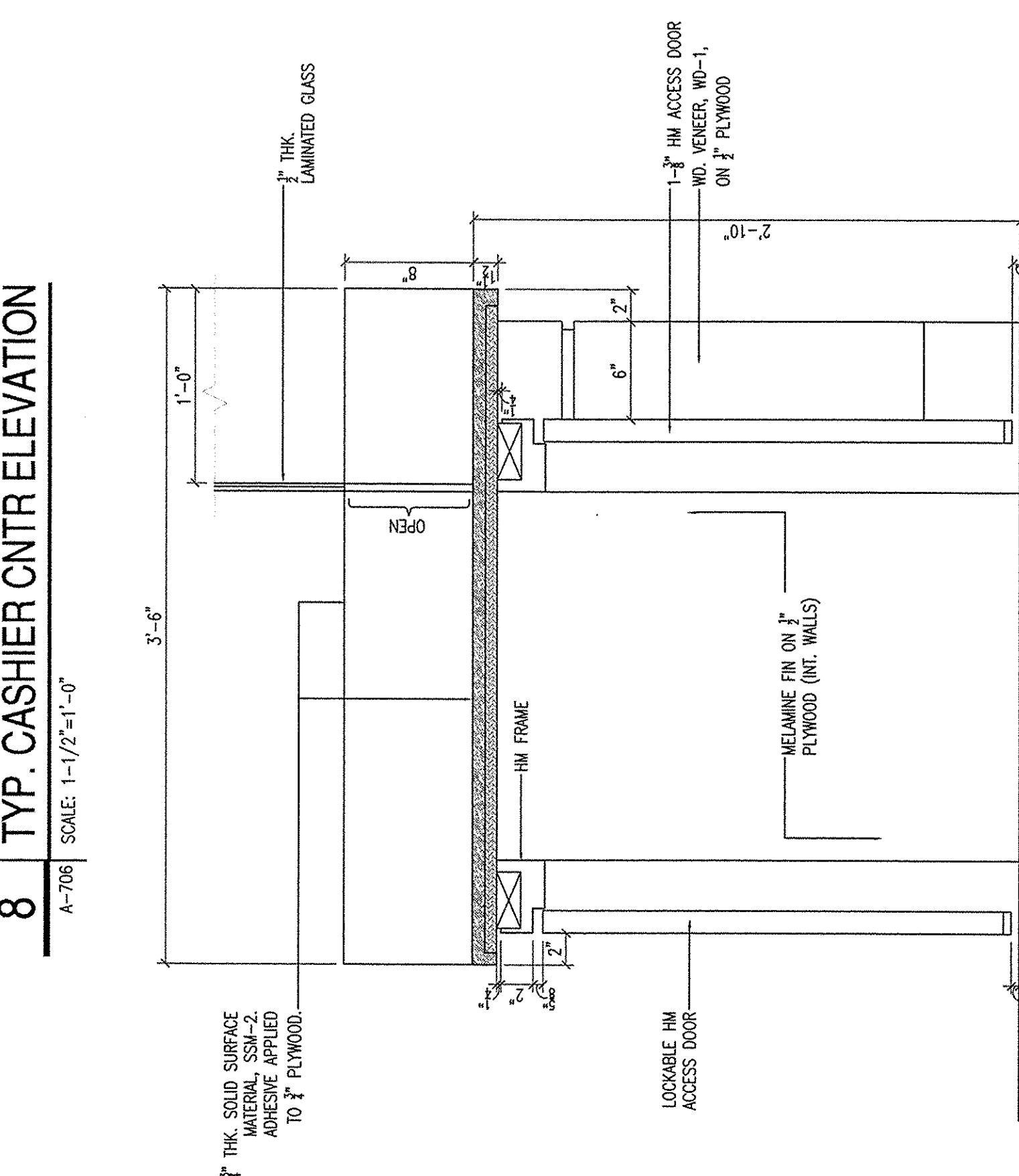
8 | TYP. CASHIER CNTR ELEVATION
A-708 | SCALE: 1 1/2"=1'-0"



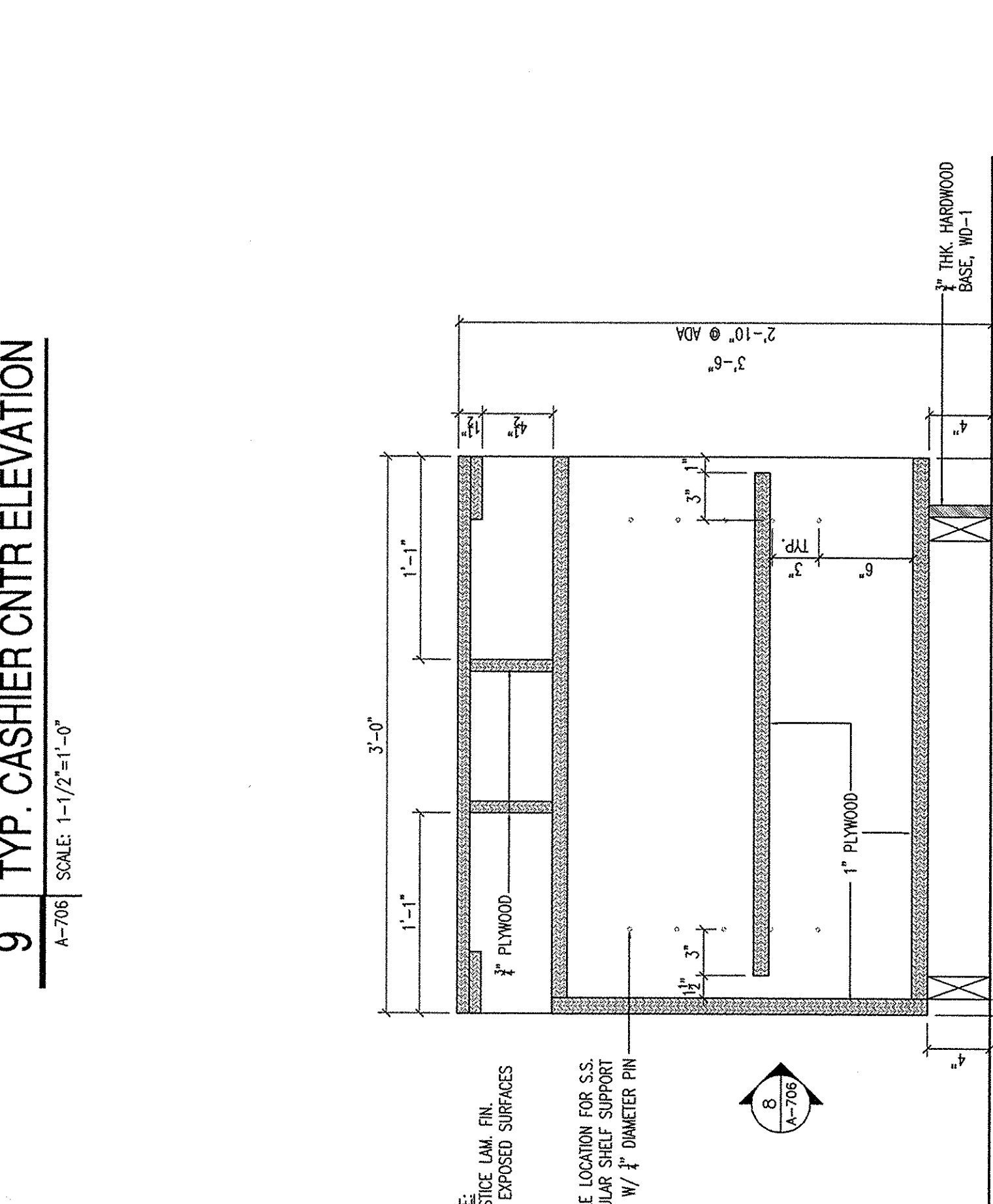
9 | TYP. CASHIER CNTR ELEVATION
A-708 | SCALE: 1 1/2"=1'-0"



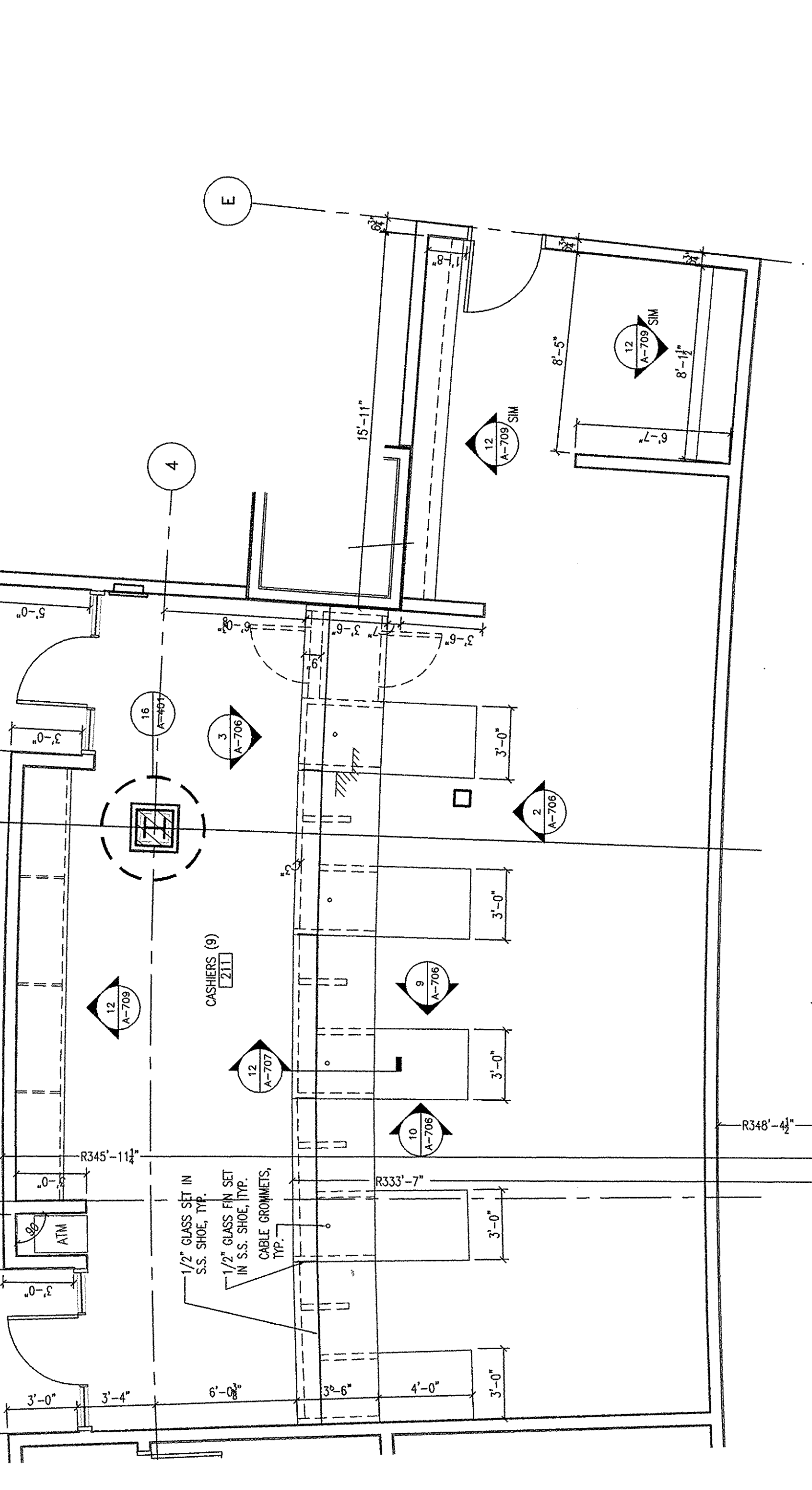
2 | EMPLOYEE SIDE ELEVATION ROOM 211-CASHIER COUNTER
A-708 | SCALE: 1/2"=1'-0"



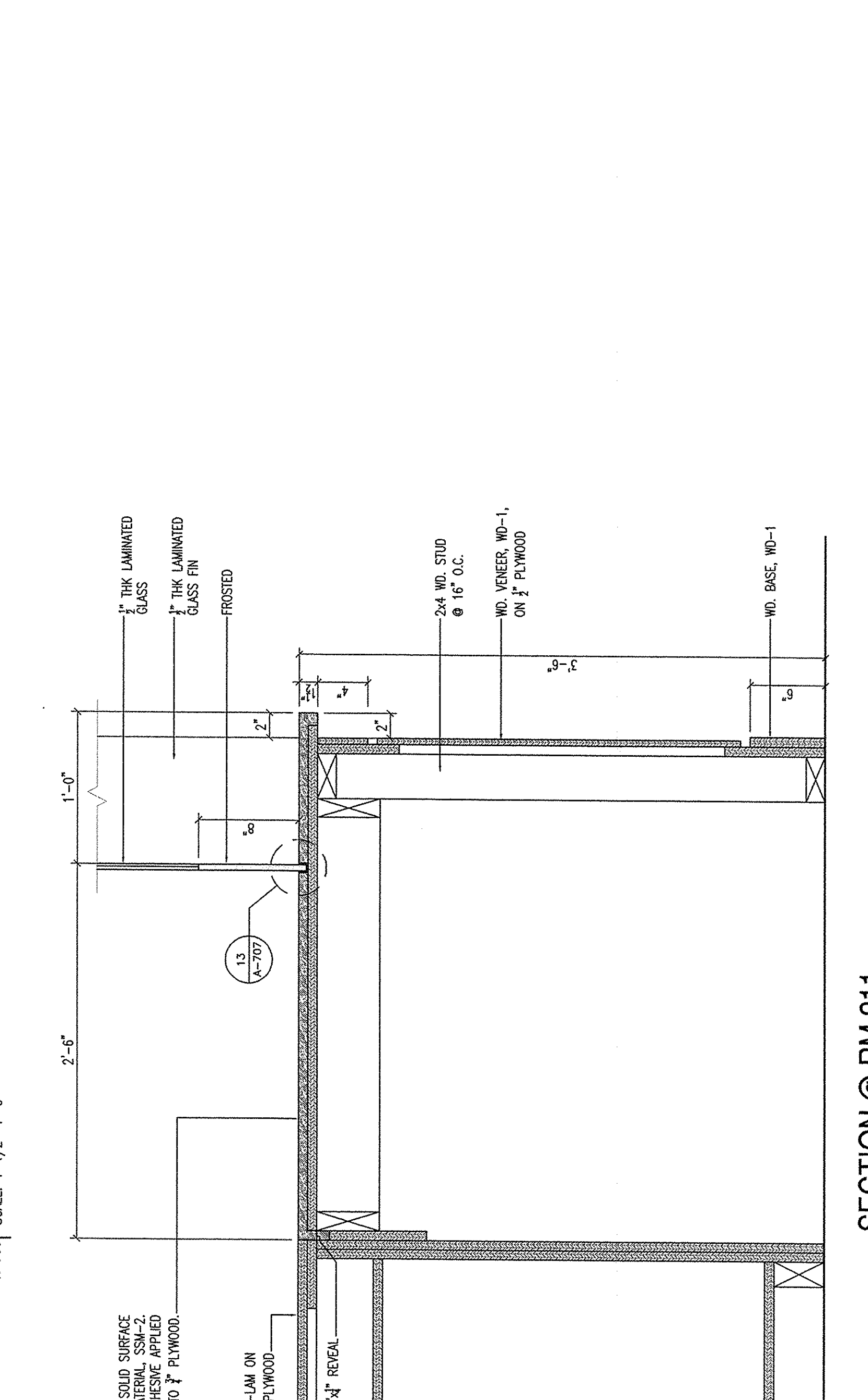
6 | SECTION @ RM 211 ADA CASHIER COUNTER
A-708 | SCALE: 1 1/2"=1'-0"



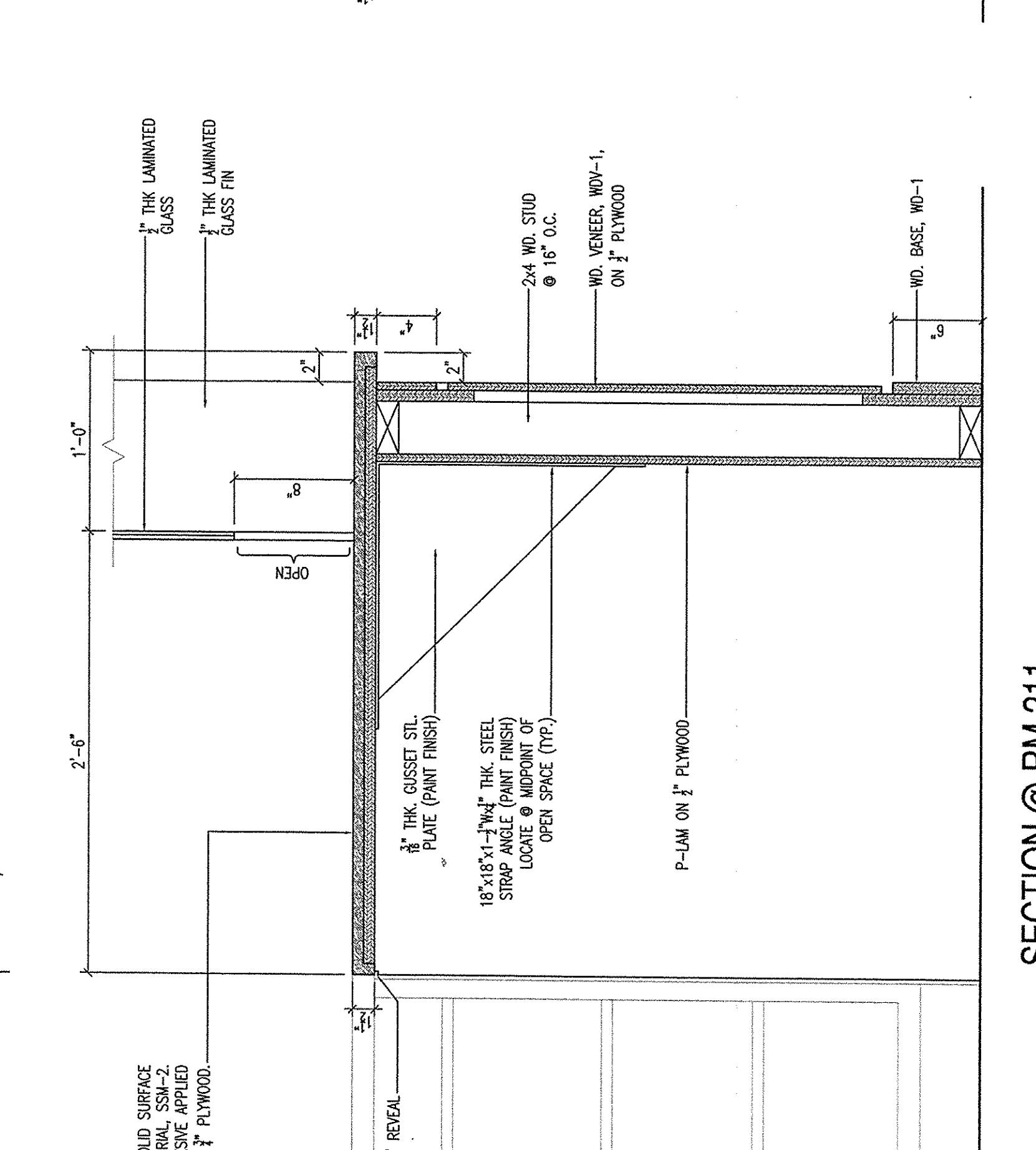
7 | COUNTER SHELVING CASHIER COUNTER
A-708 | SCALE: 1 1/2"=1'-0"



1 | ROOM 211-CASHIERS
A-708 | SCALE: 1/4"=1'-0"



4 | SECTION @ RM 211 CASHIER COUNTER
A-708 | SCALE: 1 1/2"=1'-0"



5 | SECTION @ RM 211 CASHIER COUNTER
A-708 | SCALE: 1 1/2"=1'-0"

USING AGENCY APPROVAL		DEPARTMENT OF GENERAL SERVICES APPROVAL		PROJECT MANAGER		CHECKED BY	
NAME	DATE	PROJECT MANAGER	DATE	CHEF/PROJECT MGMT & DESIGN	DATE	ISSUE	

MARK	DATE	DESCRIPTION
	11-02-2008	CONFORMED SET

DRAWN PROJECT NO.	031410104
CHECKED BY:	MARK WINSFEL
DESIGNED BY:	A-708 PUBLIC COUNTER ELEVATION

SHEET TITLE	
CASEWORK PUBLIC COUNTER	
SHEET NUMBER	A-706
DATE	8-4-21-14